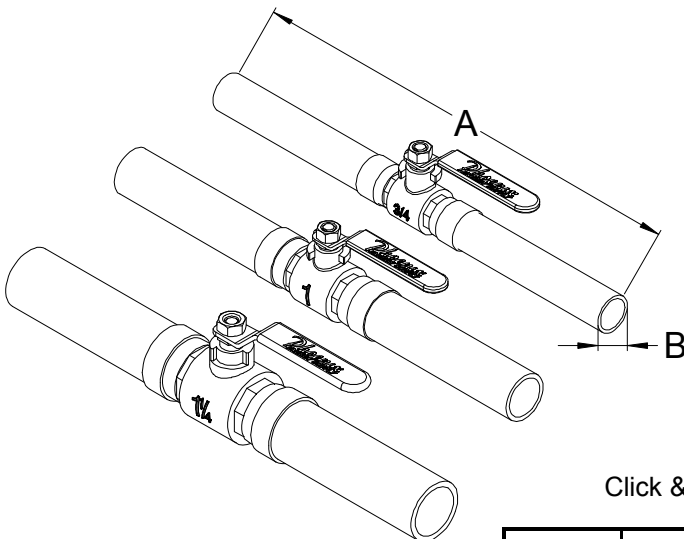
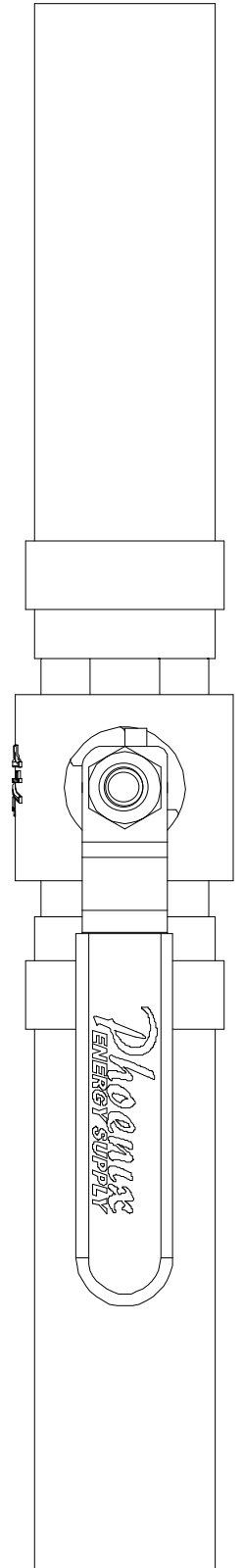
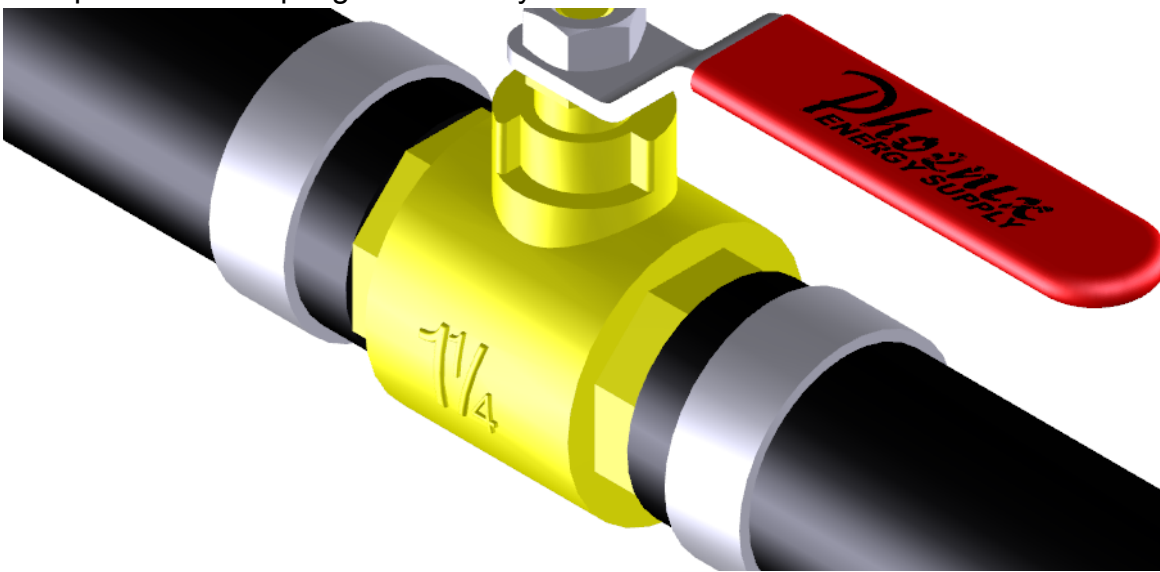


## Features and Benefits

- Low Cost
- Stainless Steel Bands
- Chrome plated ball
- HDPE Pipe Ends
- No transitional fitting needed
- Teflon Seals
- Full Port Brass Valve
- SDR 11 Pipe

The PV series valves provides a low cost solution for adding 2-way brass ball valves into the indoor piping of a geothermal heat pump system. They feature Teflon seals, chrome plated ball, stainless steel handle & high density polyethylene pipe ends. These full-port ball valves are excellent for the controllability of a complicated or simple geothermal system.



Click & Move Mouse to rotate 3-D PV6.

Part Number	Pipe Size	Overall Size (in.)		Weight (lbs.)
		A	B	
<b>PV4</b>	3/4	13.6"	1.05"	0.8
<b>PV5</b>	1	13.9"	1.315"	1.2
<b>PV6</b>	1 1/4	14.4"	1.66"	2.4